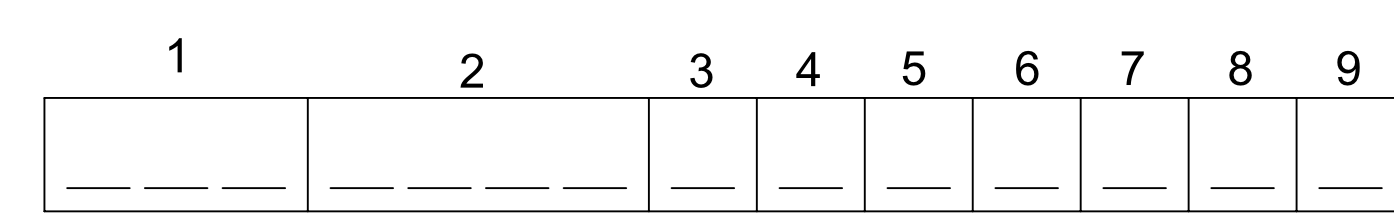
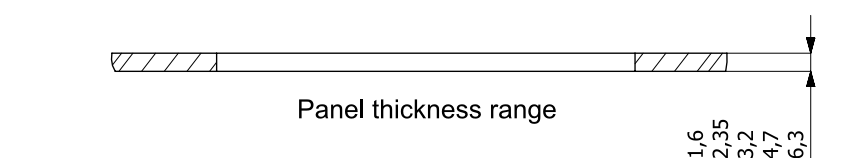
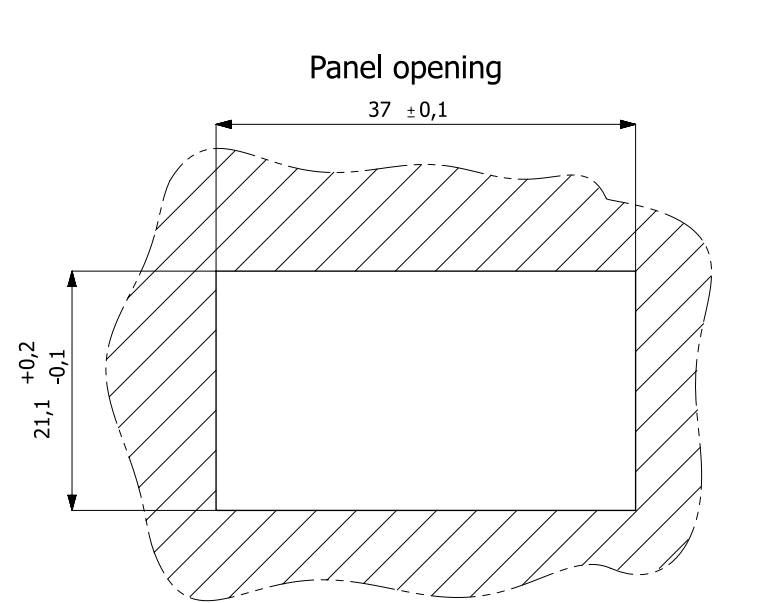
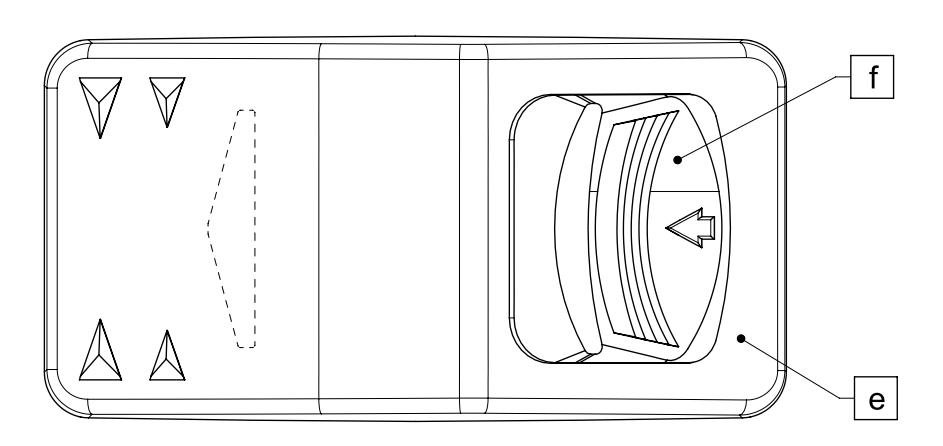
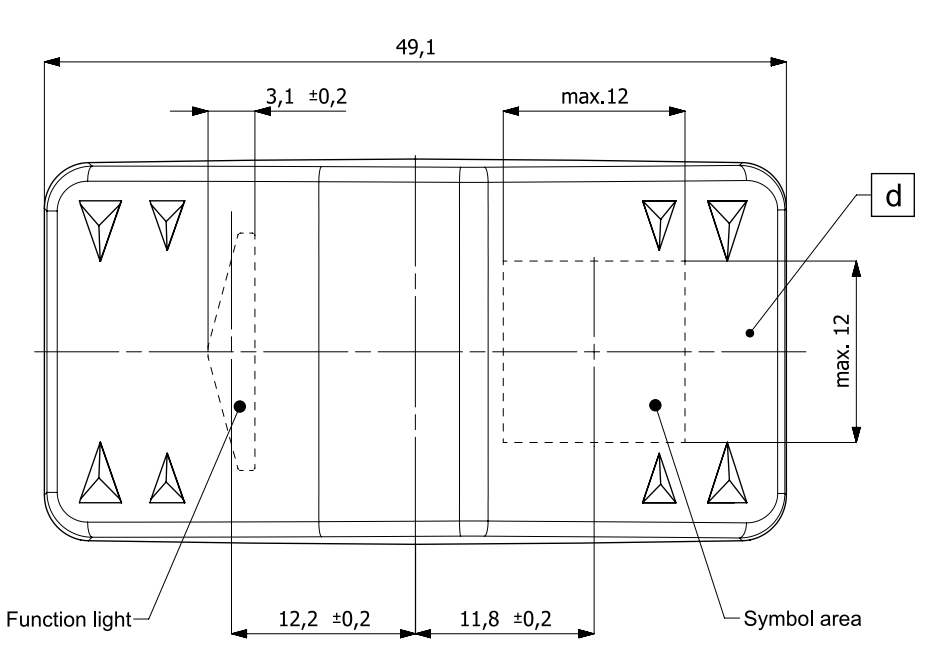
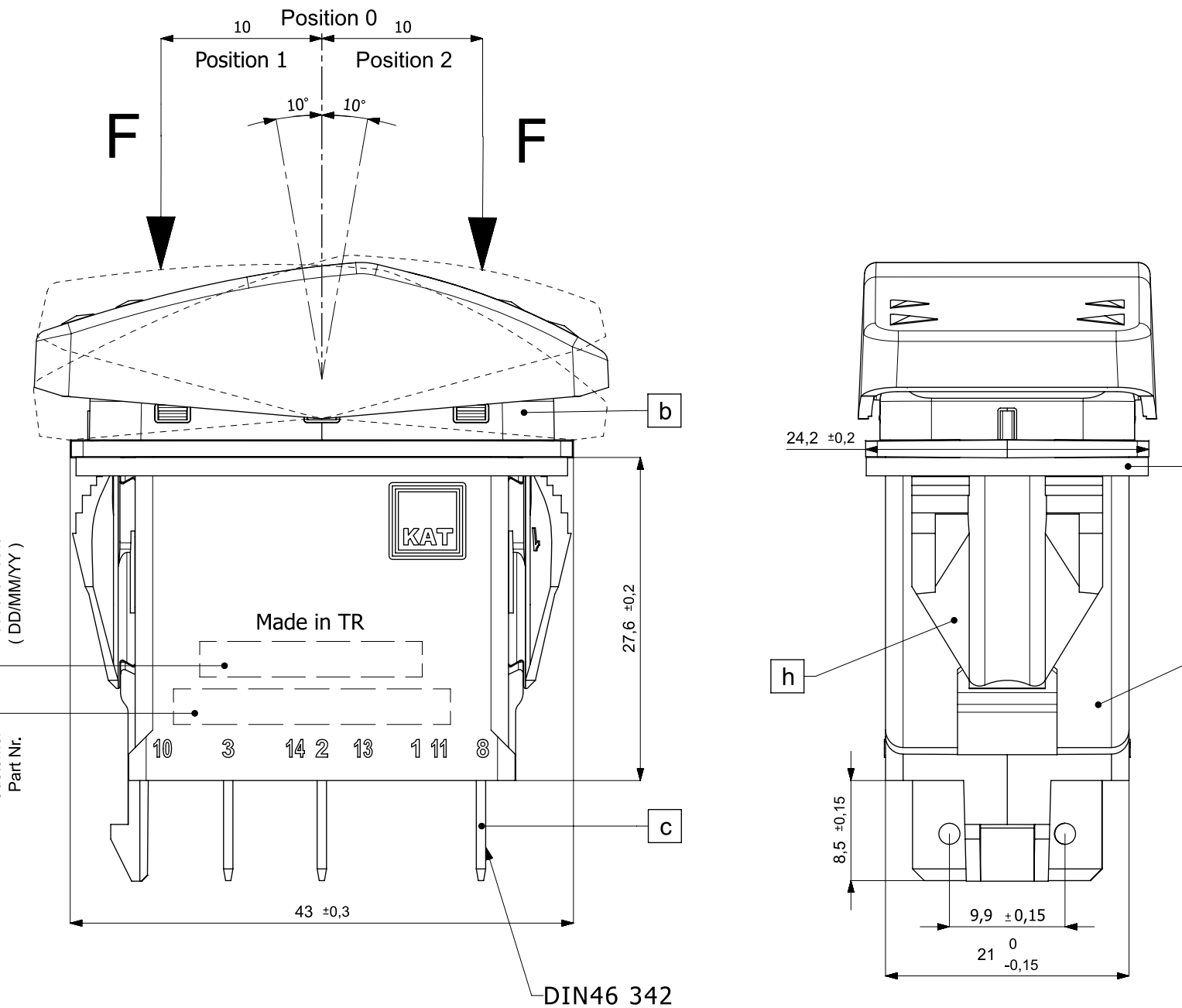


ORDERING SCHEME

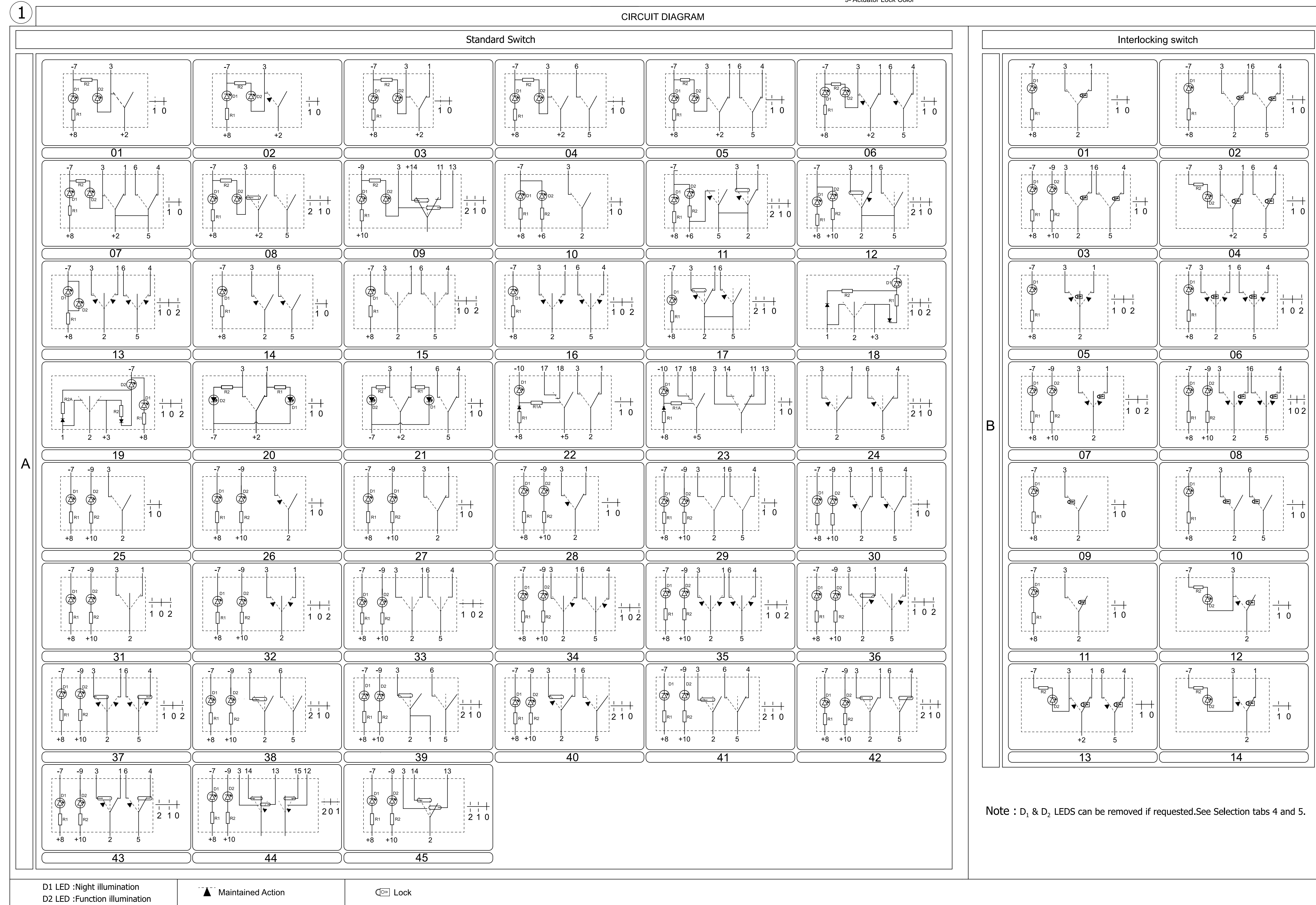


- 1- Circuit diagram
2- Symbol No
3- Assembly direction of Switch to the Customer Counter Part
4- Night Illumination LED COLOR TABLE
5- Function Illumination LED COLOR TABLE
6- Actuator Color
7- Actuator Paint Color
8- Voltage Rating
9- Actuator Lock Color



ELECTRICAL SPECIFICATIONS
Contact Rating: 0.4VA / 24VDC (max.) resistive
Dielectric Strength: 1500V RMS
MECHANICAL SPECIFICATIONS
Mechanical Life: 150,000 cycles min.
MATERIAL
Terminals: Brass silver plated
ENVIRONMENTAL SPECIFICATIONS
Actuator side: IP68 (With inserted actuator)
Terminal side: IP66 (With inserted connector)
Operating Temperature: -40°C to + 85°C

Table with 7 columns: Item, Designation, Material, Flammability, Hardness, Coating, Color, Weight (g). Rows include Housing, Cover, Plugs, Actuator, Interlocking Actuator, Gasket, and Clips.



(D1) NIGHT ILLUMINATION LED COLOR TABLE
A Amber (Standard)
Y Yellow
G Green
R Red
W White
B Blue
- NO LED (1)

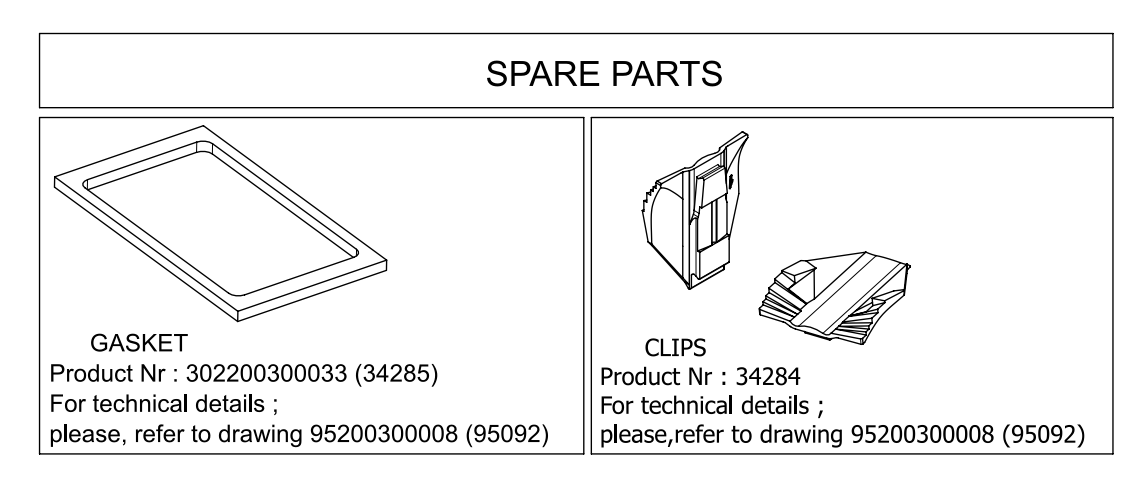
(D2) FUNCTION ILLUMINATION LED COLOR TABLE
A Amber (Standard)
Y Yellow
G Green
R Red
W White
B Blue
- NO LED (1)

ACTUATOR COLOR
1 White
2 Red
3 Gray

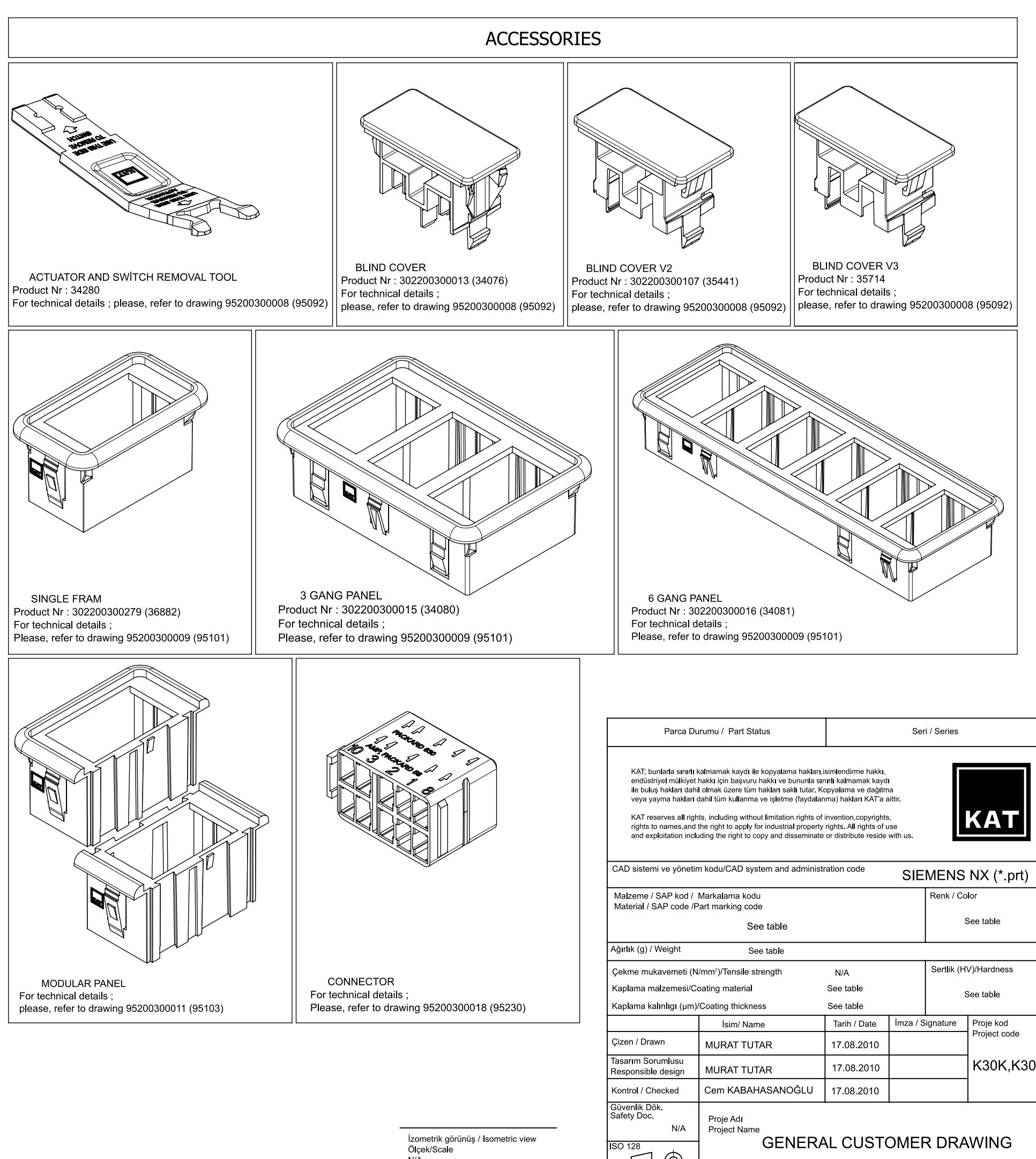
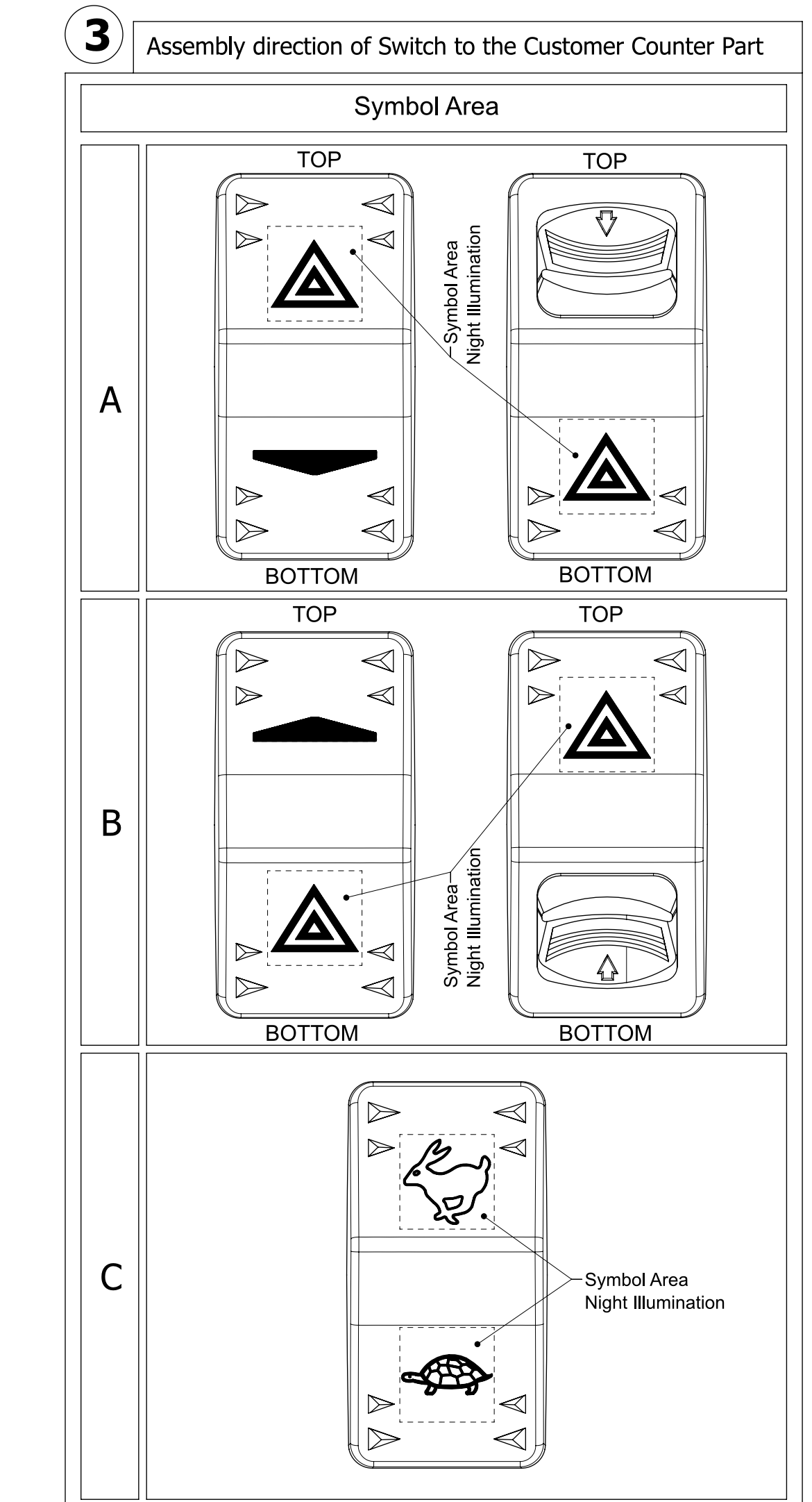
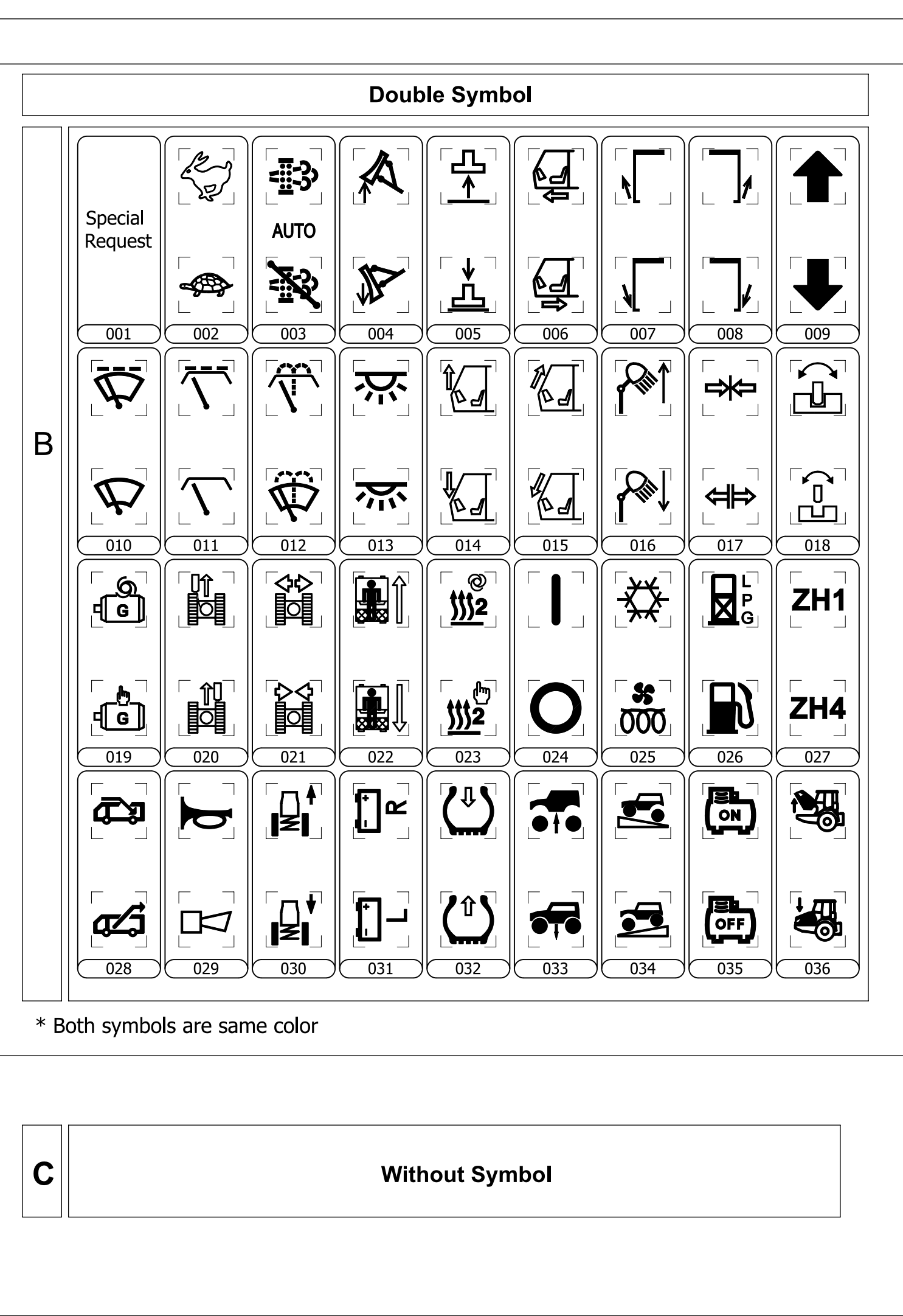
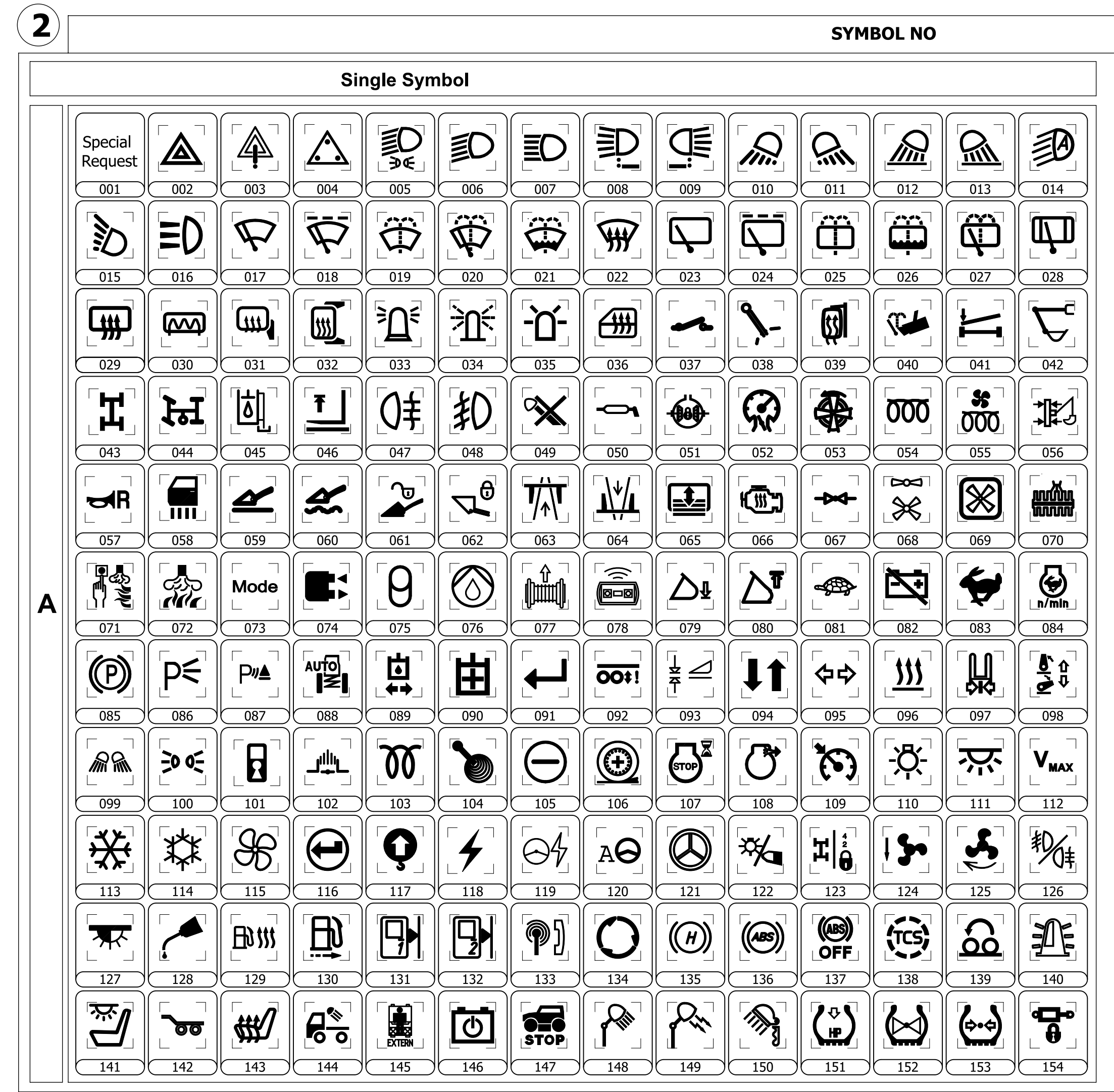
ACTUATOR PAINT COLOR and COLOR INFORMATION
1 Black (Standard)
2 Red
3 Yellow

VOLTAGE RATING
A 12V
B 24V

ACTUATOR LOCK COLOR
A Black
B Red
C Yellow
D NO Actuator Lock



Note : D1 & D2 LEDs can be removed if requested. See Selection tabs 4 and 5.



GENERAL CUSTOMER DRAWING section with Siemens logo, drawing number 95200300017 (95190), and technical specifications.