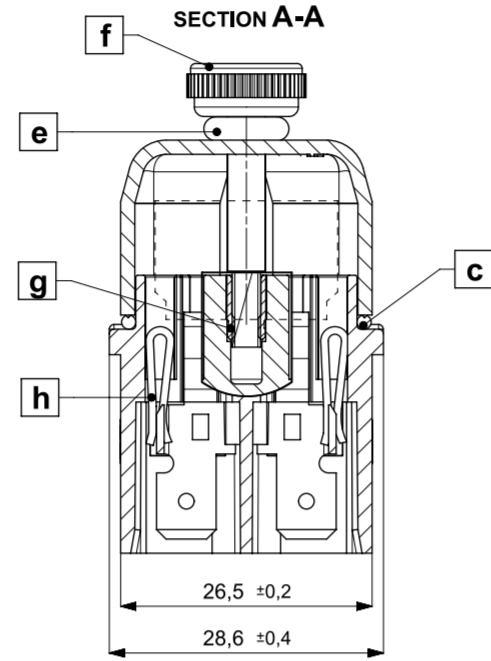
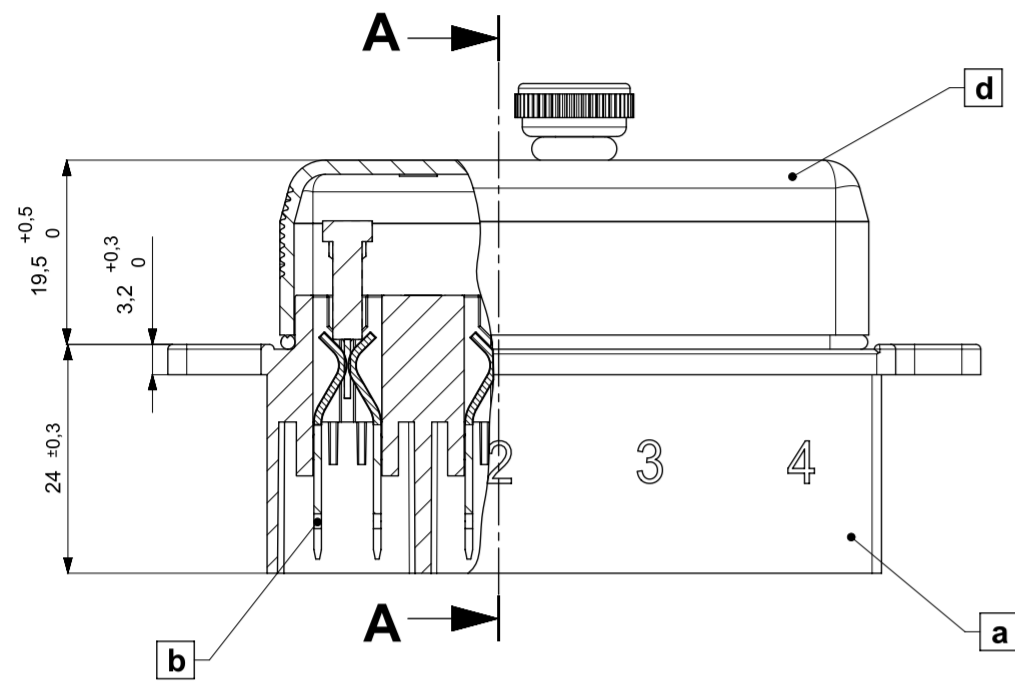
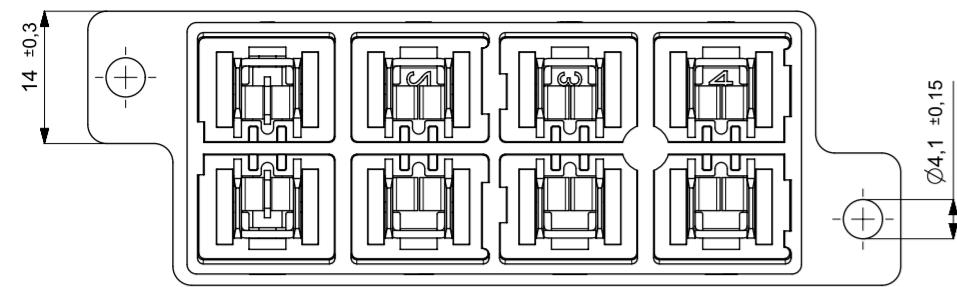
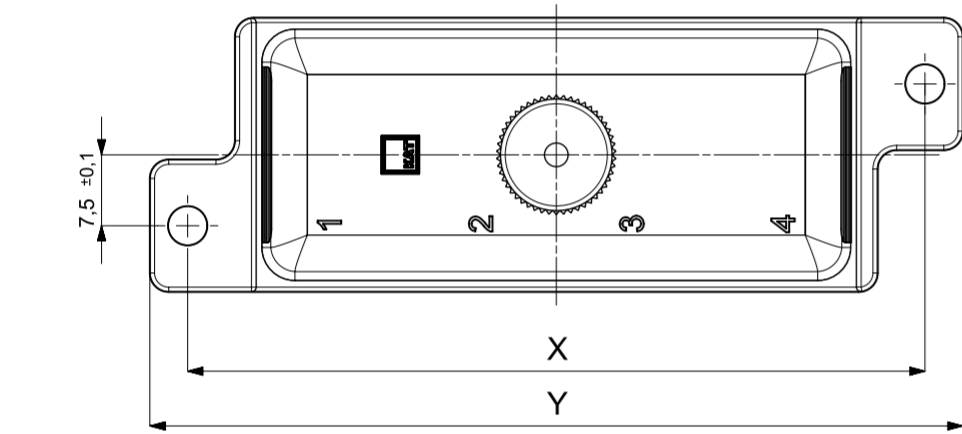


Notlar/ Notes



Fuse Box Dimensions				
	2 Pole	4 Pole	6 Pole	8 Pole
X	46 ± 0.3	78 ± 0.5	110 ± 0.5	142 ± 0.8
Y	54 ± 0.3	86 ± 0.5	118 ± 0.5	150 ± 0.8
Z	33 ± 0.3	65 ± 0.5	97 ± 0.5	129 ± 0.8



- \* Voltage 12/24V
- \* Current 3A-30A
- \* Voltage drop max. 250 mV
- \* High temperature test 2 hrs @ +95 °C
- \* Low temperature test 72 hrs @ -40 °C
- \* Fuse replacing force 20~40N
- \* Cover Side Protection Level :

Cover Without Screw IP53  
Cover With Screw IP56

Item	Designation	Material	Flammability	Hardness	Coating	Color	Weight (g)
a	Housing	PA66 GF25	UL94 V-0	N/A	N/A	See Selection Section 3	2 Pole
							4 Pole
							6 Pole
							8 Pole
b	Contact	CuSn6	N/A	160-190 HV (R500)	Ag / 1-3µm	N/A	2 Pole
							4 Pole
							6 Pole
							8 Pole
c	O-Ring	NBR	N/A	50 ShoreA	N/A	Black	2 Pole
							4 Pole
							6 Pole
							8 Pole
d	Cover	PC	UL94 V-0	N/A	N/A	Transparent	2 Pole
							4 Pole
							6 Pole
							8 Pole
e	O-Ring	PERBUNAN	N/A	70 ShoreA	N/A	Black	0,1
f	Screw	11SMnPb37	N/A	112-169 HB	Zinc / 5µm	N/A	3,3
g	Nut	CuZn39Pb3	N/A	125-165 HV (R420)	N/A	N/A	0,35
h	Bridge	CuSn6	N/A	160-190 HV (R500)	Ag / 1-3µm	N/A	1.5

\* Has to be ordered separately

NOTE : To insert the bridge push it all the way to the stop.

ORDERING SCHEME

To select the desired product type please put the code in the bar below

1 2 3

\_\_\_\_

1- Fuse Box Types  
2- Pole  
3- Color

**1 FUSE BOX TYPES**

**WITH COVER & SCREW**

**WITH COVER,WITHOUT SCREW**

**WITHOUT COVER & SCREW**

**A**

**B**

**C**

**2 POLE**

1 2 POLE  
2 4 POLE  
3 6 POLE  
4 8 POLE

**3 COLOR**

A White  
B Black  
C Green  
D Red  
E Yellow

**SPARE PARTS**

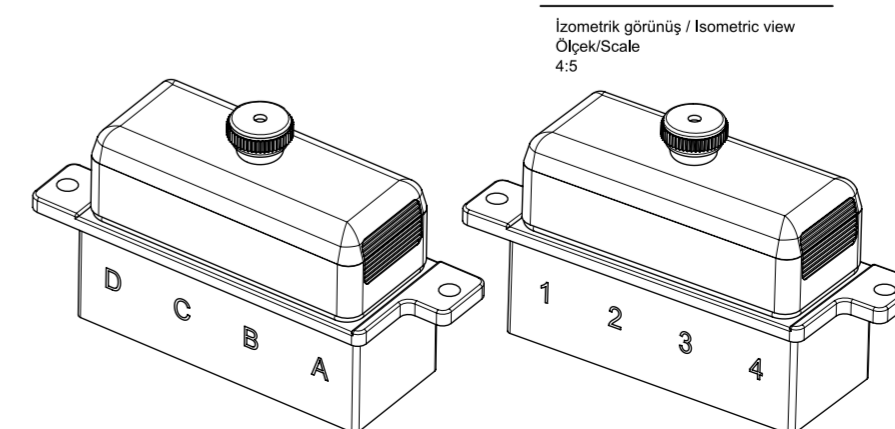
COVER		2 Pole	30887
		4 Pole	30891
		6 Pole	30895
		8 Pole	30899
COVER WITH SCREW		2 Pole	30888
		4 Pole	30892
		6 Pole	30896
		8 Pole	30900
BRIDGE		30788	

\* Fitting o-ring is included.

**ACCESSORIES**

For technical details : please, refer to drawing 95110.

For technical details : please, refer to drawing 30903



Rev. Nr. / Rev. Nr.	Konum / Section	Tarih / Date	İsmin / Name	Revizyon tanımı / Revision description	Takip Nr. / Order Nr.
a	N/A	13.12.2007	K.KARABULUT	Voltage and current values are added. Bridge contact insertion remark is added.	N/A
b	N/A	17.09.2013	C.TOPRAKHISAR	The measurement tolerance were renewed.	N/A
c	N/A	02.03.2018	K.KARABULUT	Technical drawing updated	N/A
d	H4 / 3	08.03.2022	K.KARABULUT	Flammability properties are added to the table.	N/A

Parça Durumu / Part Status		Seri / Series	
KAT, bunlarla sınırlı kalmamak kaydı ile kopyalama hakları, isimlendirme hakkı, endüstriyel mülkiyet hakkı için başvuru hakkı ve bunlarla sınırlı kalmamak kaydı ile bulguların dahil olmak üzere tüm hakları saklı tutar. Kopyalama ve dağıtım veya yayma hakları tüm kullanma ve işletme ( faydalanma) hakları KAT'a aittir.			
KAT reserves all rights, including without limitation rights of invention, copyrights, rights to names, and the right to apply for industrial property rights. All rights of use and exploitation including the right to copy and disseminate or distribute reside with us.			
CAD sistemi ve yönetim kodu/CAD system and administration code		SIEMENS NX (*.prt)	
Malzeme / SAP kod / Markalama kodu / Material / SAP code /Part marking code		Renk / Color	
See table		See table	
Ağırlık (g) / Weight See table			
Çekme mukavemeti (N/mm <sup>2</sup> )/Tensile strength N/A		Sertlik (HV)/Hardness	
Kaplama malzemesi/Coating material See table		See table	
Kaplama kalınlığı (µm)/Coating thickness See table		See table	
İsmin/ Name	Tarih / Date	İmza / Signature	Proje kod / Project code
Çizen / Drawn K.KARABULUT	21.09.2007		K1-K6
Tasarım Sorumlusu / Responsible design C.TOPRAKHISAR	21.09.2007		
Kontrol / Checked Cem KABAHASANOĞLU	21.09.2007		
Güvenlik Dök. / Safety Doc. N/A	Proje Adı / Project Name	<b>FUSE BOX</b>	
ISO 128			
Ölçek/Scale 5:4	Resim No / Drawing No 95040	Boyut Format / Sheet 1	Toplam sayfa / of 1
4:5			
Normal ölçülerde belirtilmeyen toleranslar için genel toleranslar / General tolerances for nominal dimensions without specified tolerance			7168 mS