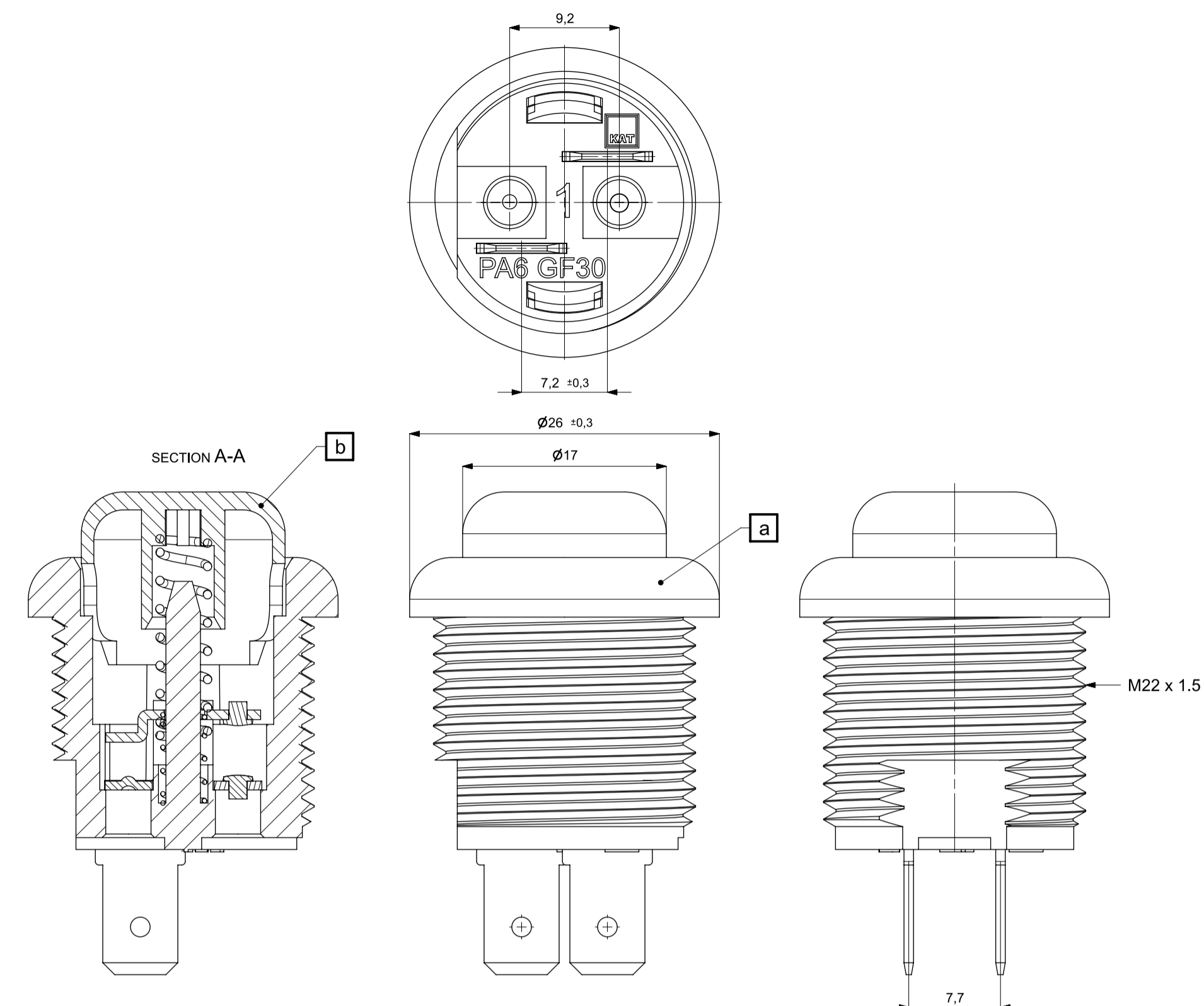


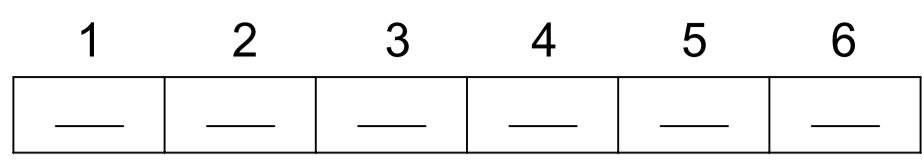
Notlar/ Notes



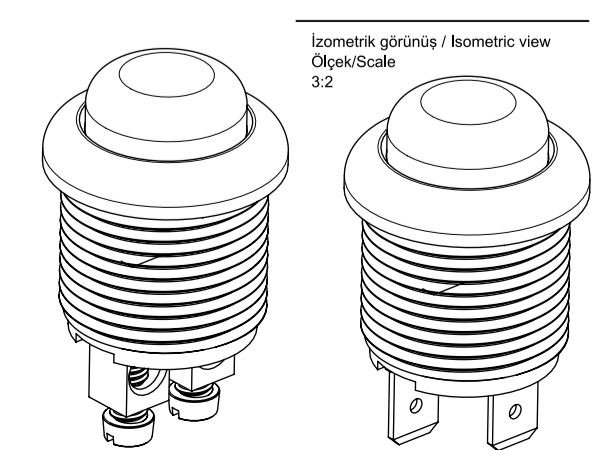
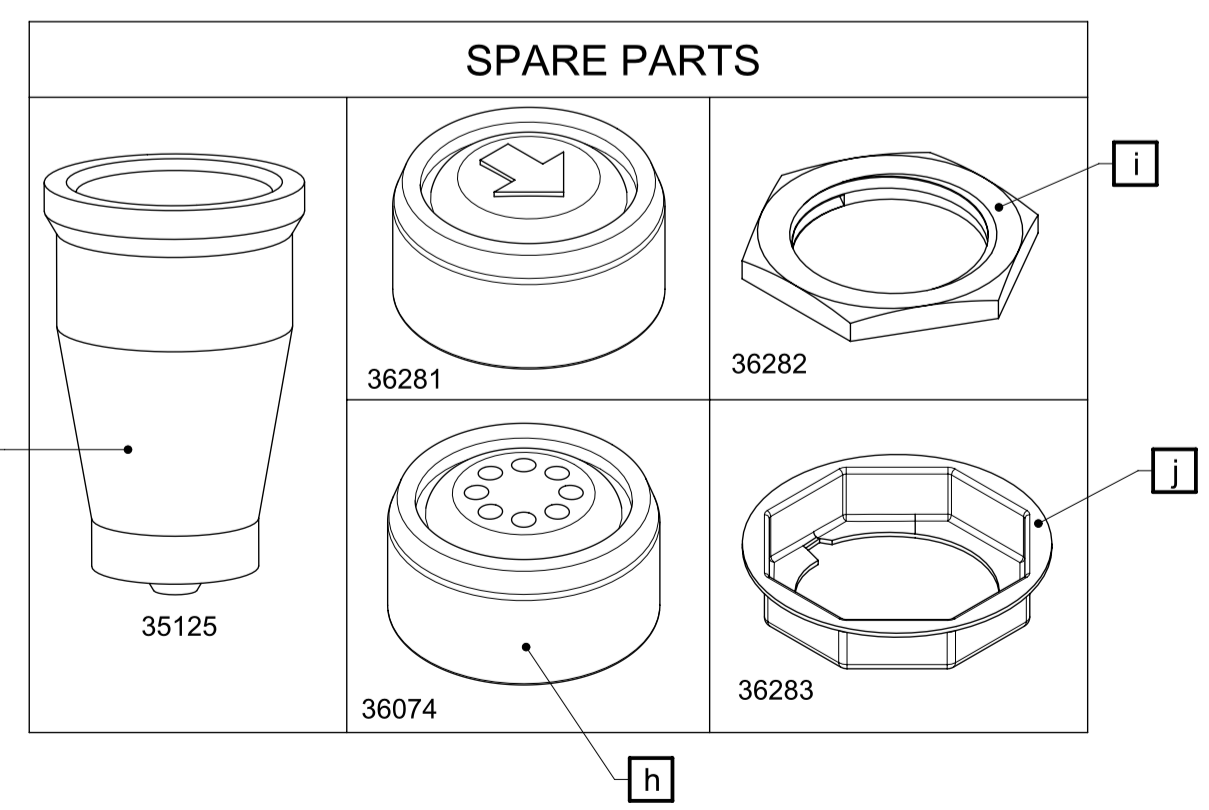
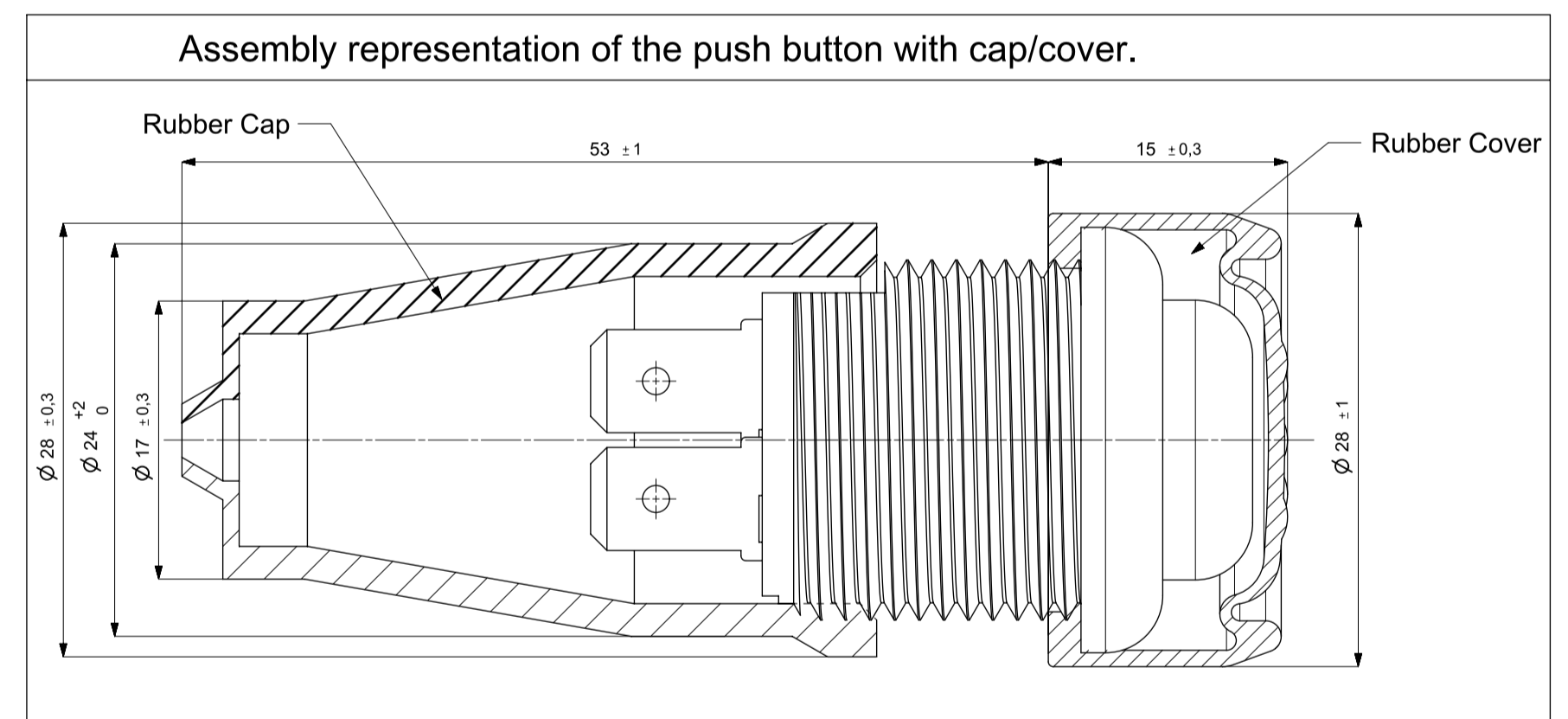
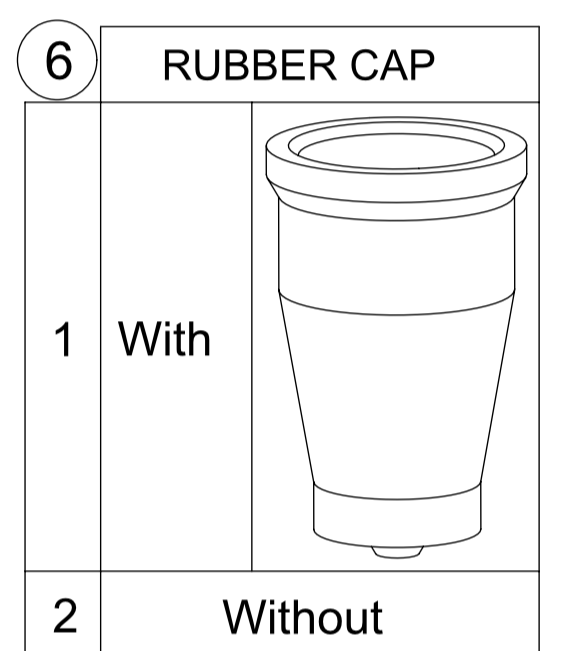
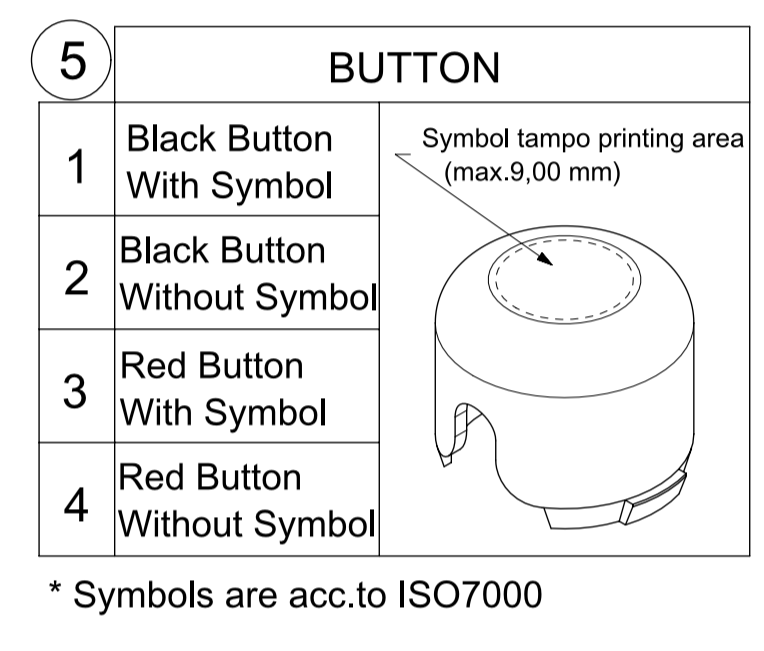
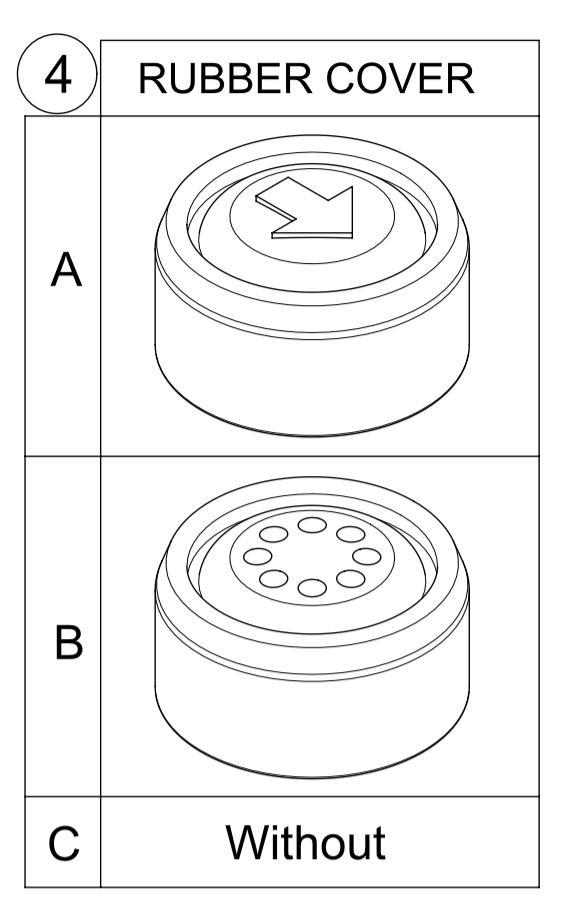
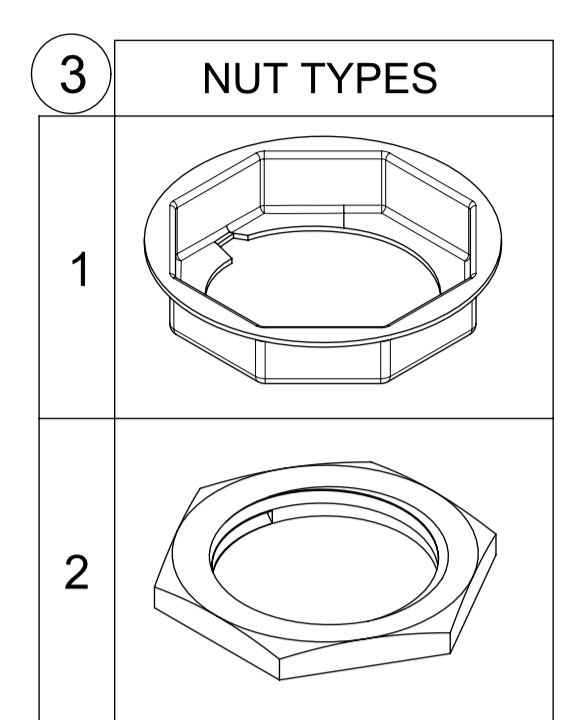
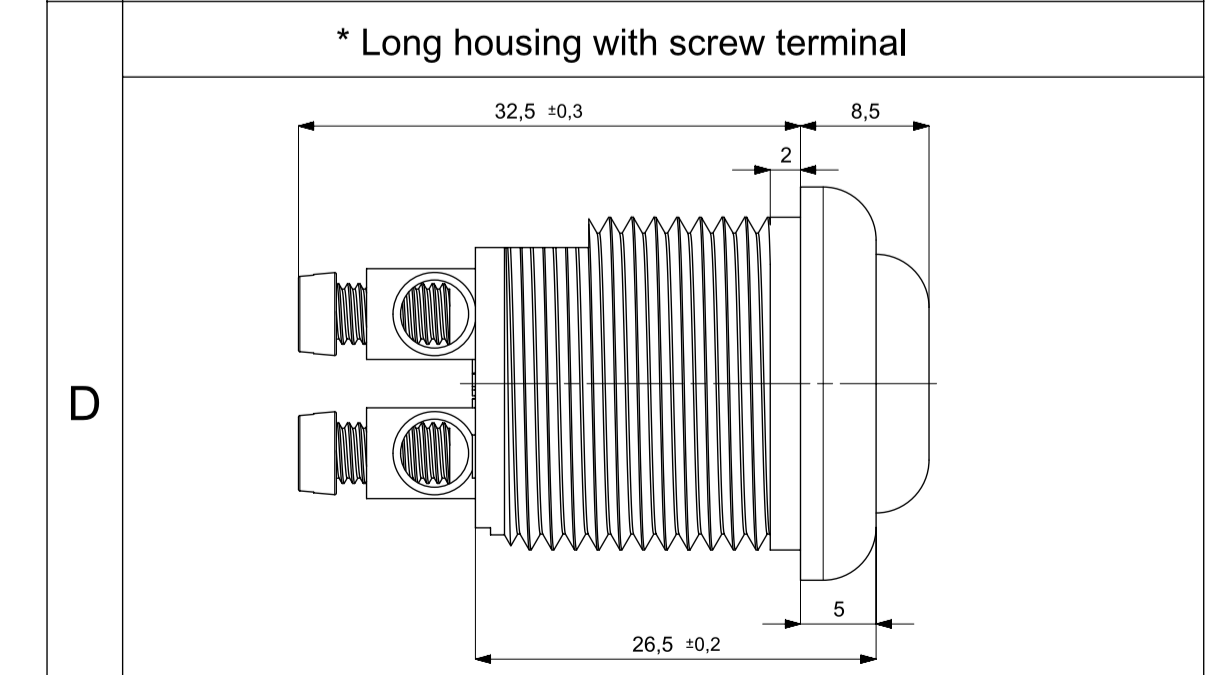
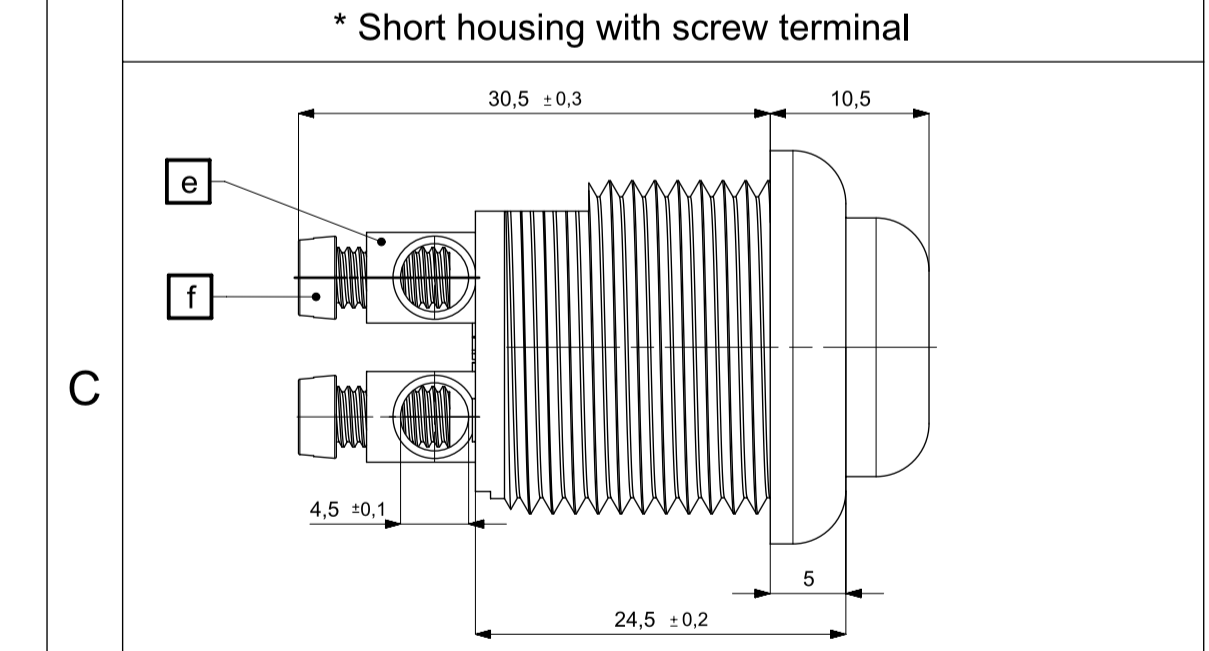
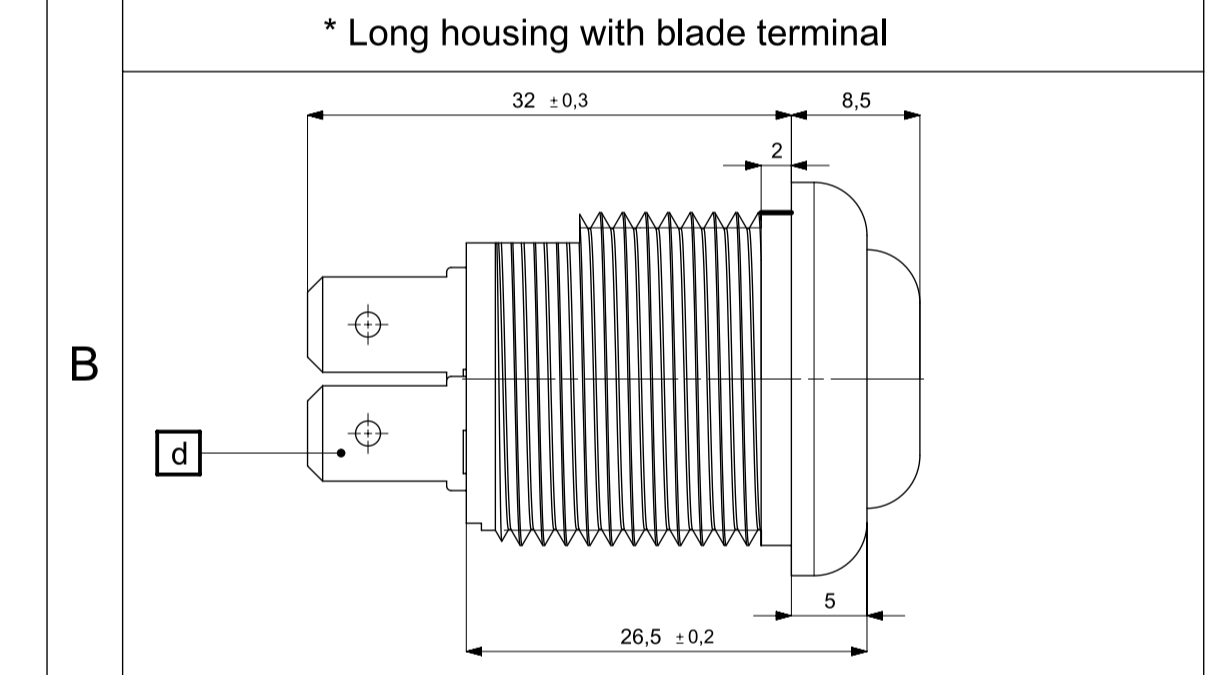
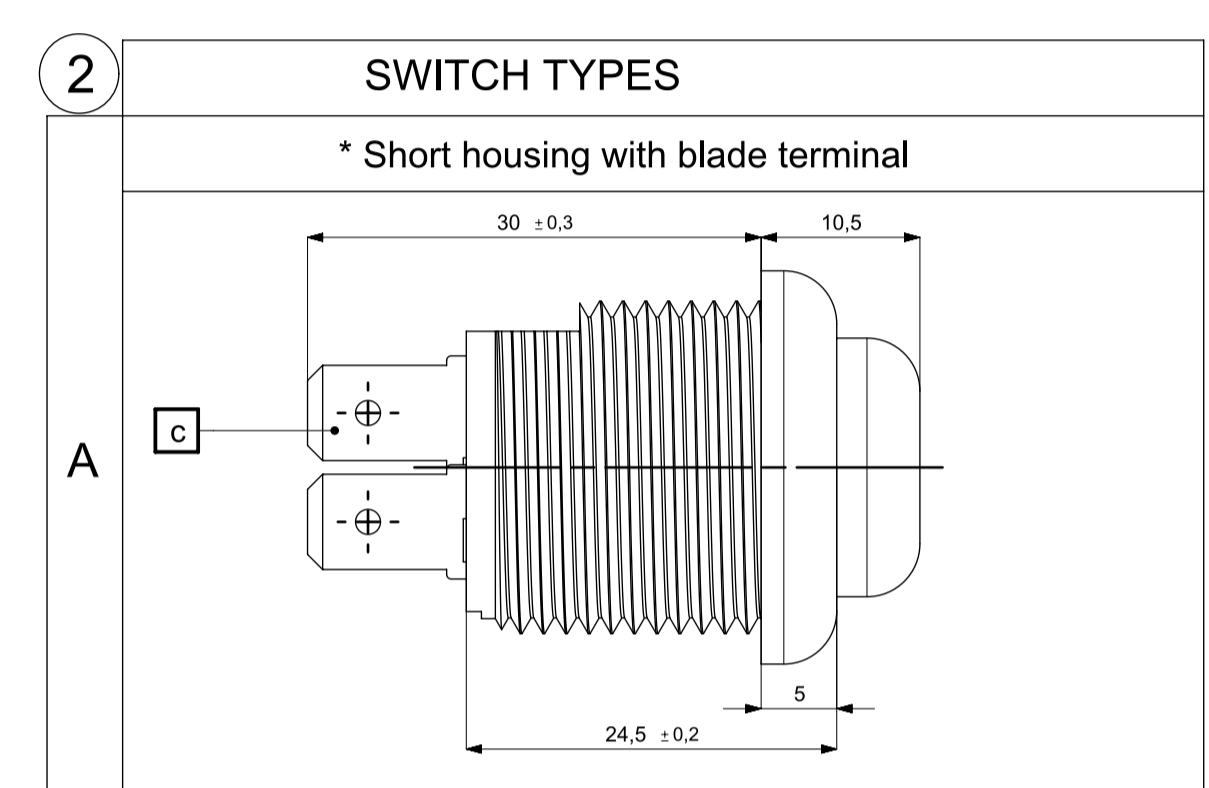
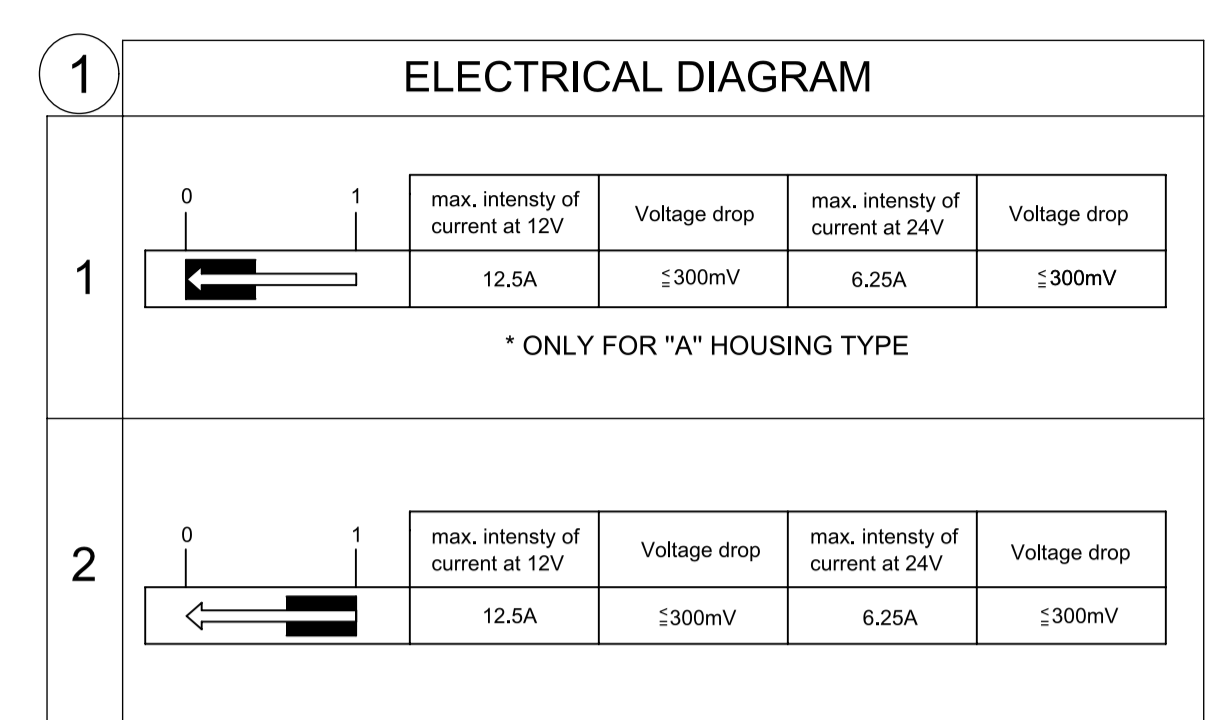
**Voltage** : 12 V / 24 V  
**Temperature range** : from -40°C to +90°C  
**Max. current** : 12,5 A/12V or 6,25A/24V  
**Max. voltage drop** : 300 mV  
**Stroke** : 4,4 ± 0,2 mm  
**Actuation point** : 1,6 ± 0,6 mm  
**Force at actuation point** : 9 ± 1 N  
**Life cycle** : min. 25.000 cycles on/off  
**Momentum of nut** : Max. 3 Nm  
**Protection level acc. to (DIN40050)**  
 Protection Button side (With cover) IP66  
 Protection Button side (Without cover) IP 40  
 Protection Terminal side (With cap) IP 64  
 Protection Terminal side (Without cap) IP 20

Item	Designation	Material	Plating	Color	Weight (g)
a	Housing	PA 6 GF30	N/A	Black	5,6
b	Button	POM		Black	1,4
c	Short plug	F38	N/A	N/A	0,85
d	Long plug				1,05
e	Socket	CuZn39Pb3 (DIN17660)	N/A	N/A	1,85
f	Screw	DIN 84	Zn 5	N/A	0,95
g	Rubber Cap	Neopren, 60 Shore A	N/A	Black	3,35
h	Rubber Cover	Neopren 55 Shore A	N/A	Black	8,7
i	Nut 3mm	Al Mg SiSn Bi	N/A	N/A	2,25
j	Nut 6,5mm	St 3 Lg Fe	Zn 8	N/A	3,2

### ORDERING SCHEME



- 1- Electrical Diagram
- 2- Switch Types
- 3- Nut Types
- 4- Rubber Cover
- 5- Button
- 6- Rubber Cap



Rev. No	Konum Section	Tarih Date	İsim Name	Revision tarihi Revision description	Talep No Order No.
a	N/A	15.03.2011	C.TOPRAKBEKAR	Button figure option is added.	N/A
b	N/A	21.08.2011	FERİT TUTAR	Button order option "Red" is added.	N/A
c	N/A	26.08.2012	C.TOPRAKBEKAR	Specification order criteria changes.	N/A
d	N/A	15.07.2016	ÖLÇKAN TIRAZCI	The template is updated.	N/A
e	N/A	08.01.2018	K.KARABULUT	Technical drawing updated.	N/A

<input type="radio"/> Taslak Draft	<input type="radio"/> Prototip Prototype	<input type="radio"/> Ön seri Pre-series	<input checked="" type="radio"/> Seri Series
KAT: burda birer örnek kullanılmak kaydı ile kopyalama hakları saklıdır. Bu haklar sadece müşterinin kullanımına aittir. Kopyalama ve dağıtım veya başka amaçlarla kullanılması KAT'a aittir. KAT reserves all rights, including without limitation rights of invention, copyright, rights to names and the right to make for industrial property rights. All rights of use and exploitation including the right to copy and disseminate or distribute reside with us.			
CAD sistemi ve yönetim kodu/CAD system and administration code		NX 11 ( *.prt )	
Malzeme / SAP kod / Markalama kodu Material / SAP code / Part marking code		Renk / Color See table	
Ağırlık (g) / Weight See table		Sertlik (HV) / Hardness See table	
Çekme mukavemeti (N/mm²) / Tensile strength See table		N/A	
Kaplama malzemesi / Coating material See table		N/A	
Kaplama kalınlığı (µm) / Coating thickness See table		N/A	
Çizen / Drawn	İsmin Name	Tarih / Date	İmza / Signature
Tasarım Sorumlusu Responsible design	Murat TUTAR	22.05.2008	
Kontrol / Checked	Cem KABAŞANOĞLU	22.05.2008	
Güvenlik Dök. Safety Doc.	N/A	Proje Adı Project Name	Proje Kod Project code
ISO 128		PUSH BUTTON	
Ölçek/Scale	Resim No Drawing No	95111	Boyut Format
5:2			A1
3:2			Sayfa Sheet
			1
			Toplam sayfa of
			1
Normal ölçülerde belirtilmeyen toleranslar için genel toleranslar General tolerances for nominal dimensions without specified tolerance			
DIN 7168 mS			