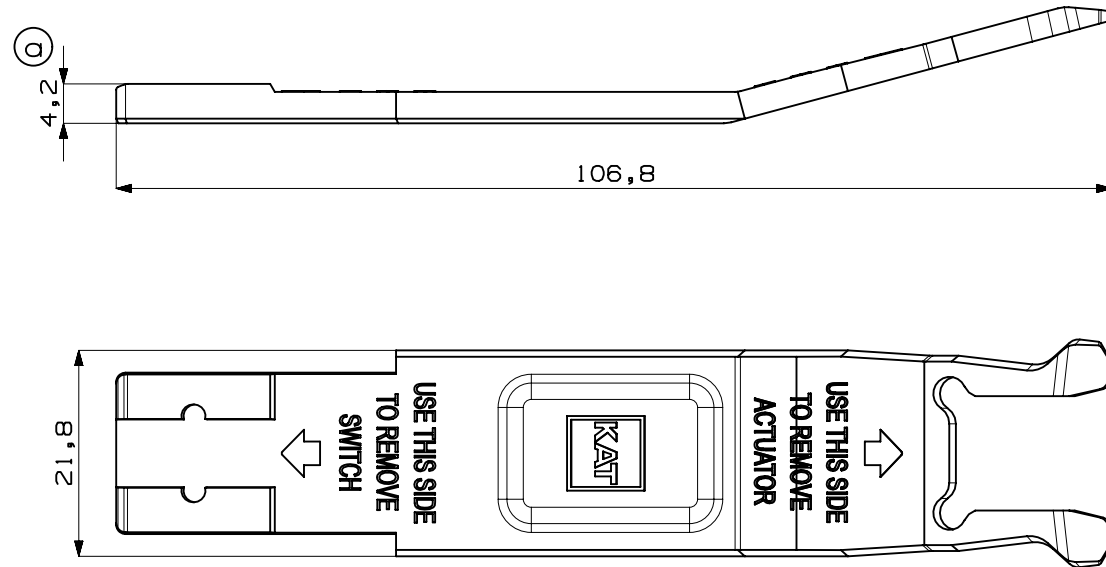


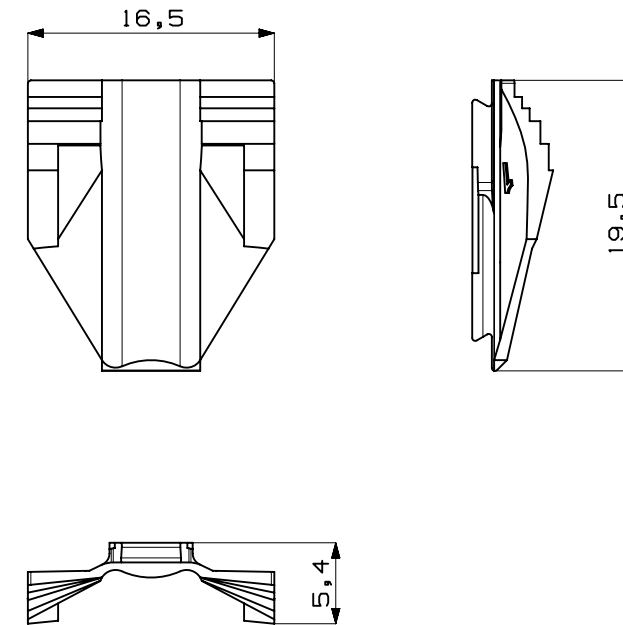
ACTUATOR REMOVAL TOOL
KAT Nr: 34280

Material: PA6-GF30
Color: RAL 9011



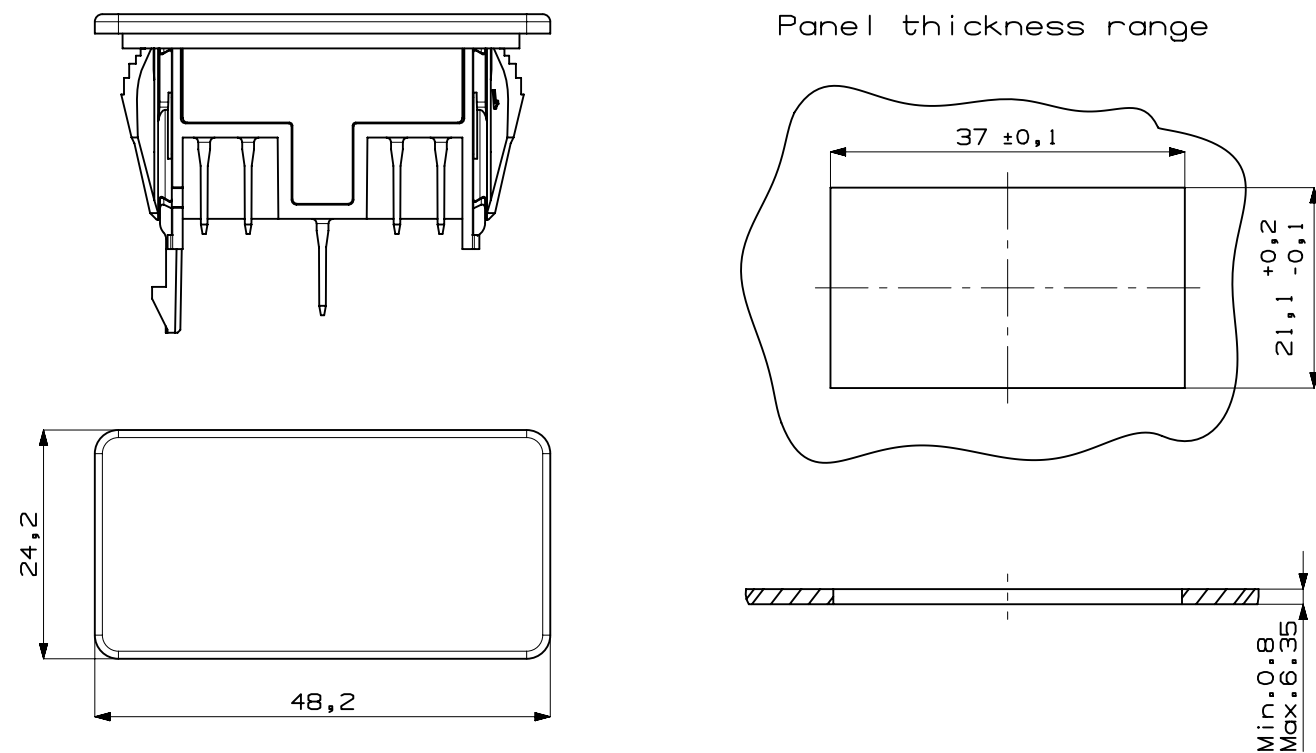
SIDE CLIP
KAT Nr: 34284

Material: PC
Color: RAL 3020



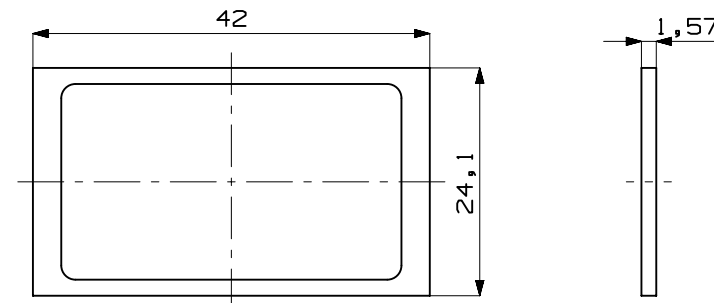
DUMMY ACTUATOR
KAT Nr: 34076

Material: ABS
Surface quality: 2.5 MmRa
Color: RAL 9011



GASKET
KAT Nr: 34285

Material: EPDM 42
Color: RAL 9004



a	4.2 mm thickness of the actuator removal tool has been changed as 3.8 Dugme sokme aparatinin 3.8 olan kalinlik olcusu 4.2 oldu.	25.05.2009	C.TOPRAKHISAR
POS.	MODIFICATION PERFORMED	DATE	MODIFICATION
ISSUED ON	16.10.08	NAME	DATE
Tolerances are given according to DIN 7168 mS.	DRAWN BY K.KARABULUT	16.10.08	SIGNATURE
	APPR. BY Suna ALTUNOK	16.10.08	
SCALE	5/4	PRODUCT NAME : ACCESSORIES CUSTOMER TECHNICAL DRAWING	
		PRODUCT NO	
		95092	